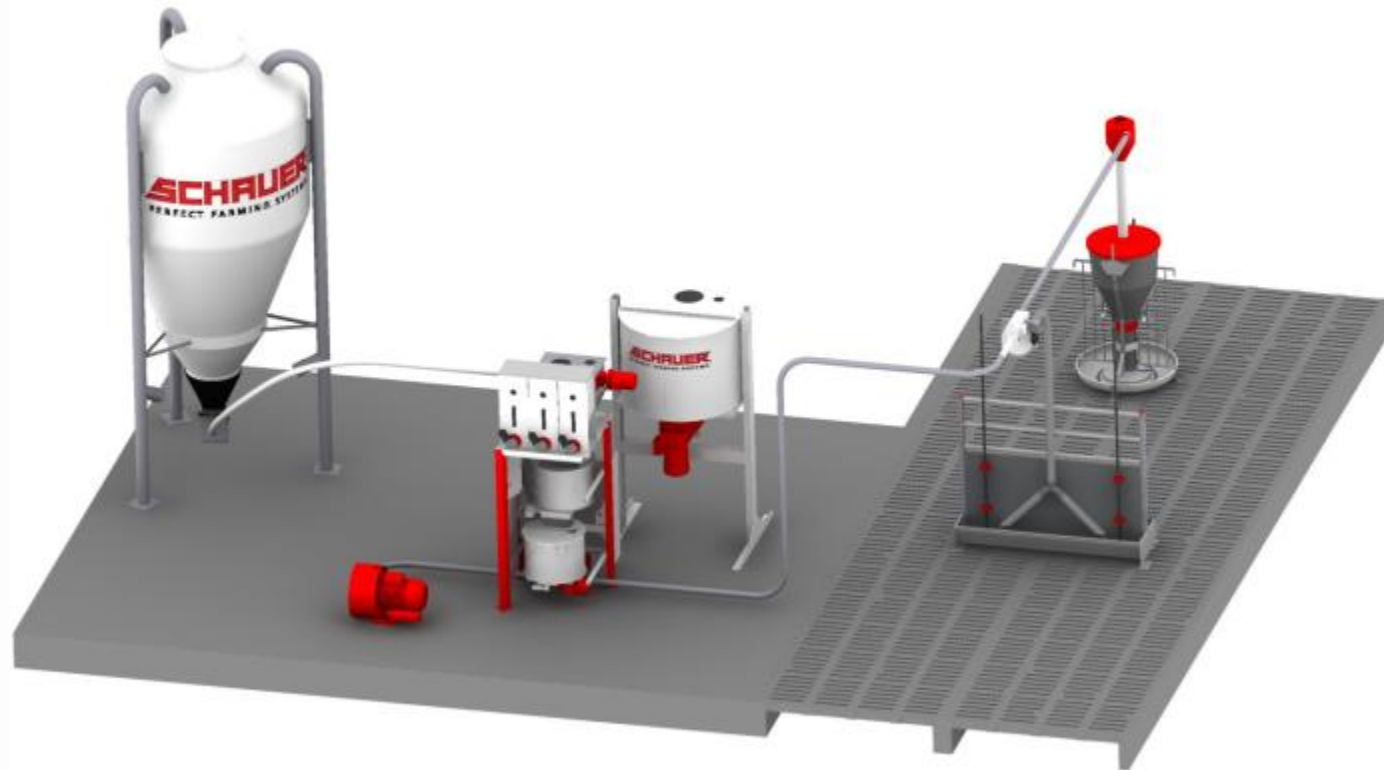


Spotmix –multi phase feeding



Spotmix stands for..

- Precision:** mixed as dry feed
- Hygiene:** conveyed as dry feed
- Flexibility:** distributed as liquid feed



Spotmix – perfectly clean and accurate

Absolute control over the content of dry matter

Accurate adjusted quantities of energy and proteins – for each animal – daily

Perfectly clean – patented method

Very accurate dosing of even smallest amounts of vitamins and medication (without losses)



All feed and management data at a glance



Save functioning ! Top data security! Easy and user-friendly to operate !

High technology – easy to use



ISO *agri* **NET**

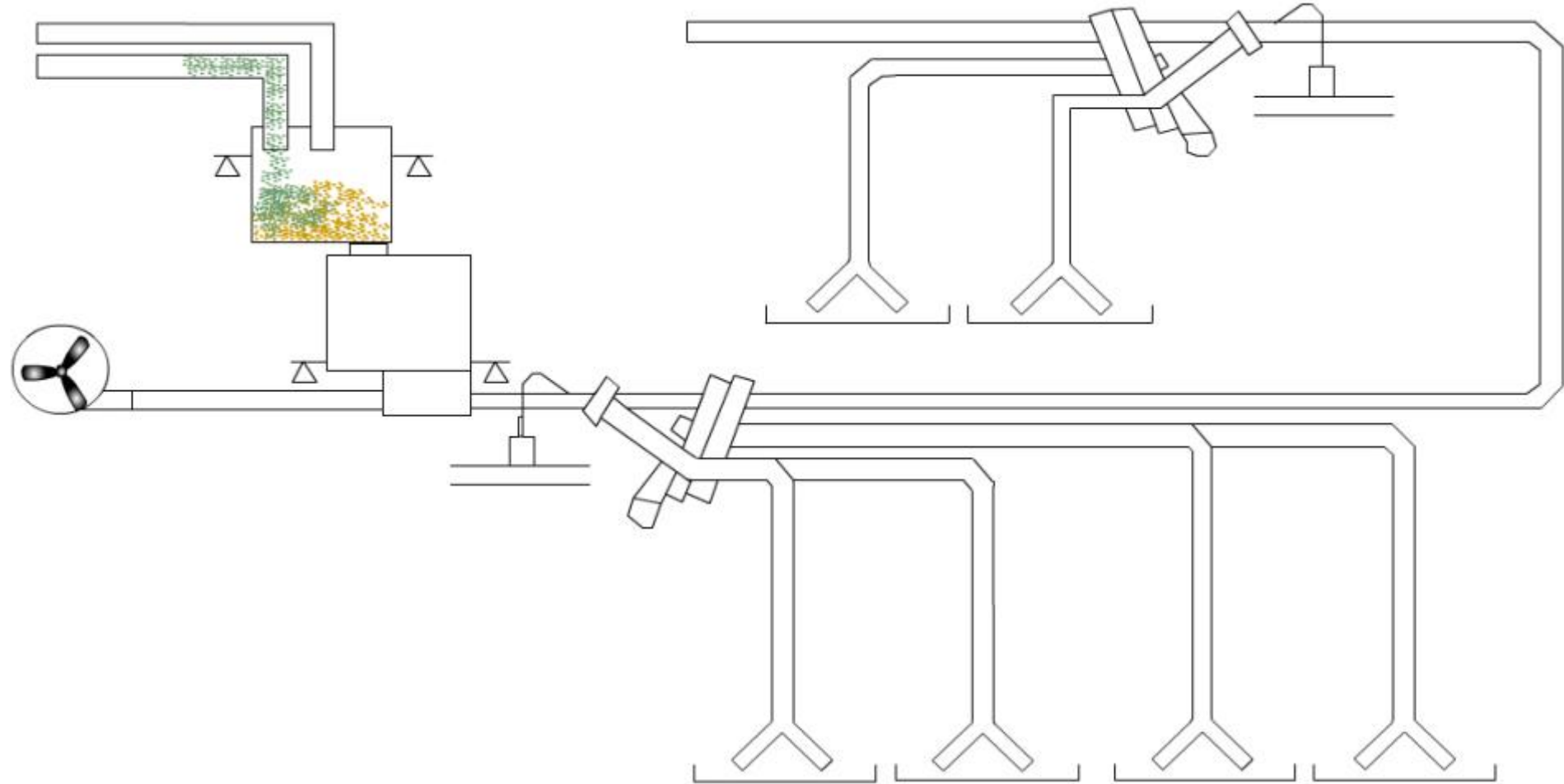
Over 35 years of experience in top electronics and computer controlled feeding at the highest standards.

Partner of universities and top research institutes

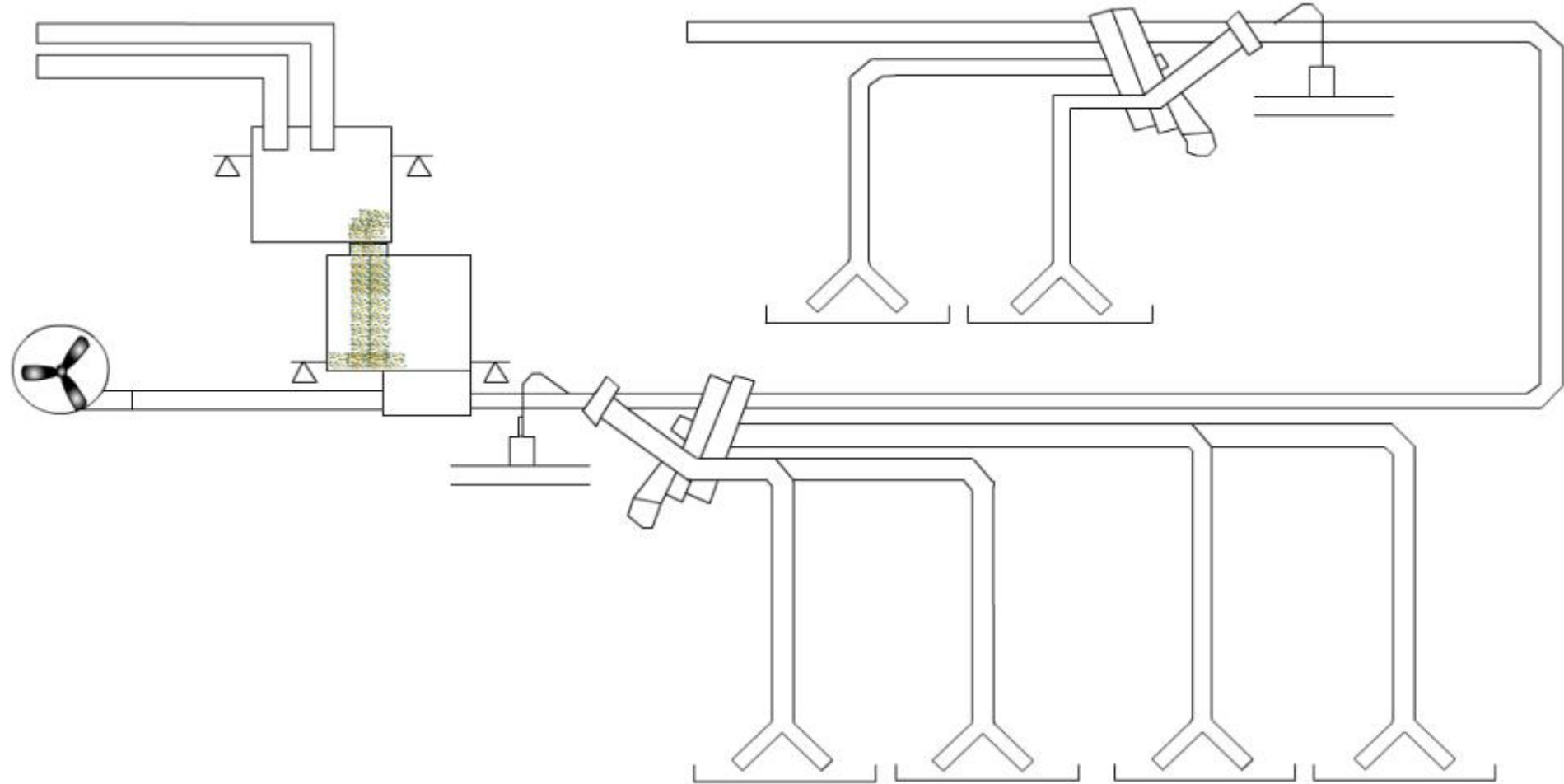


Boxberg, Futterkamp, Haus Düsse
University of Pennsylvania
and many more...

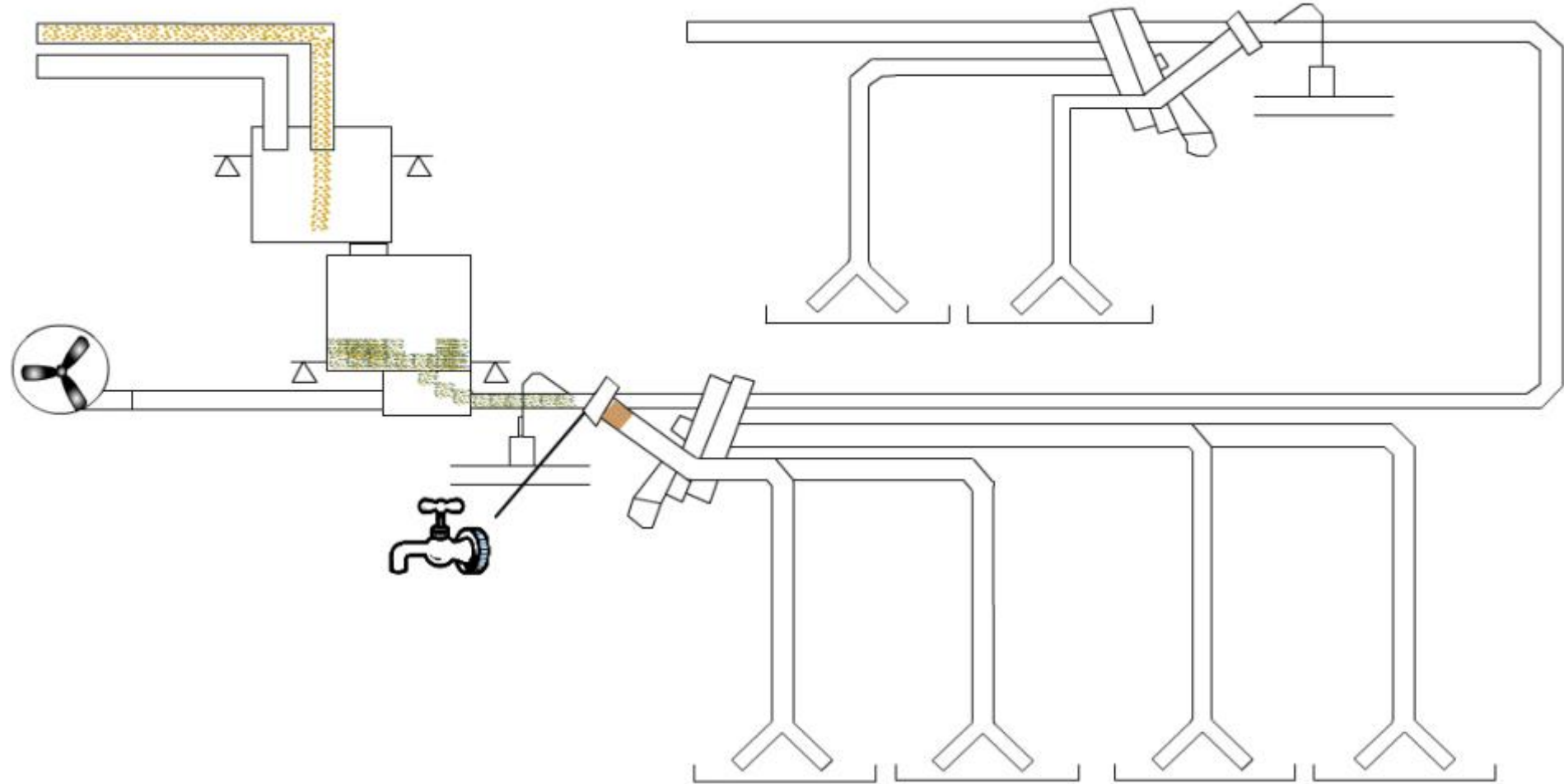
Dry feed mixed



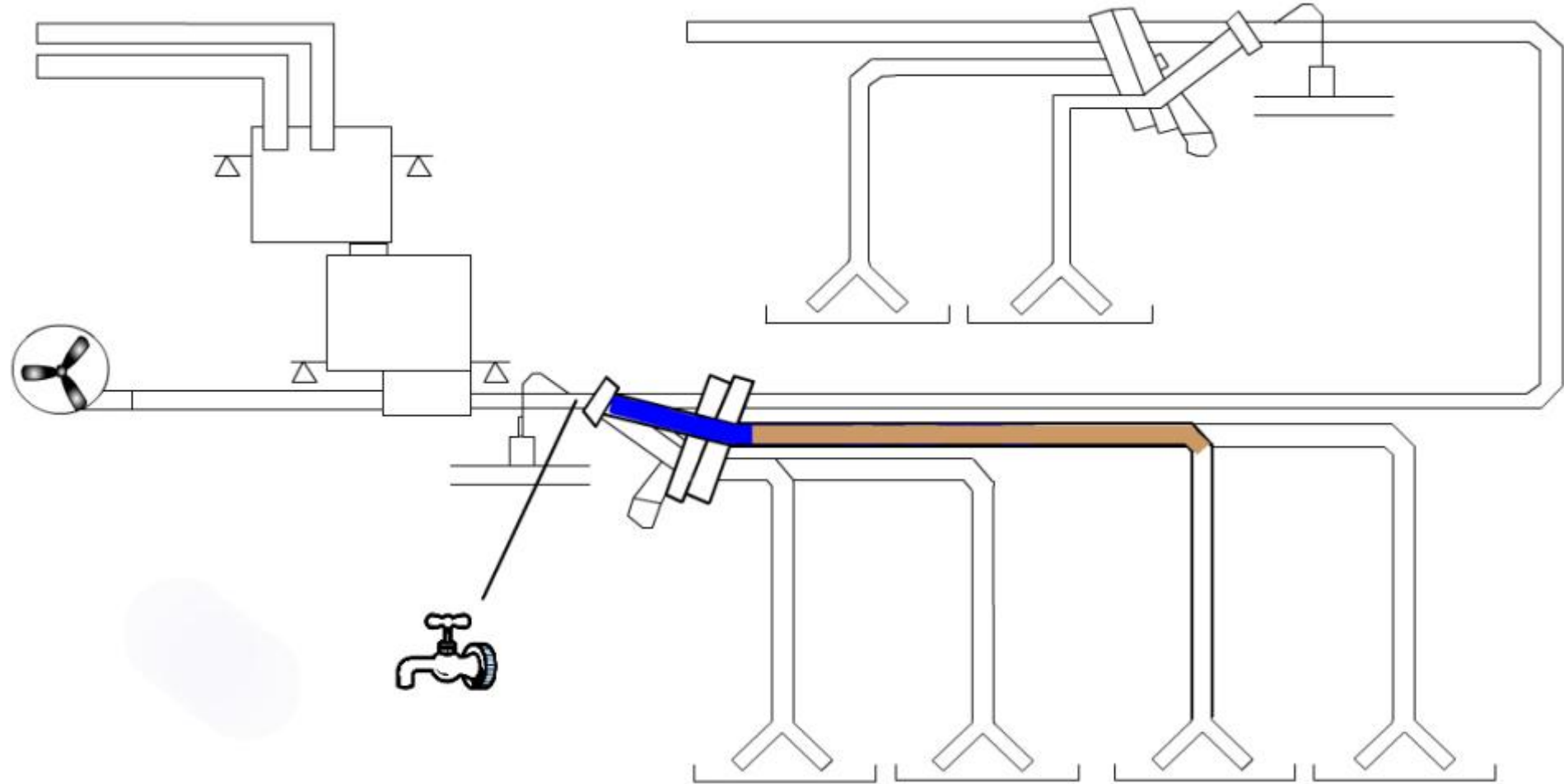
Transported as dry feed



Distributed as liquid feed



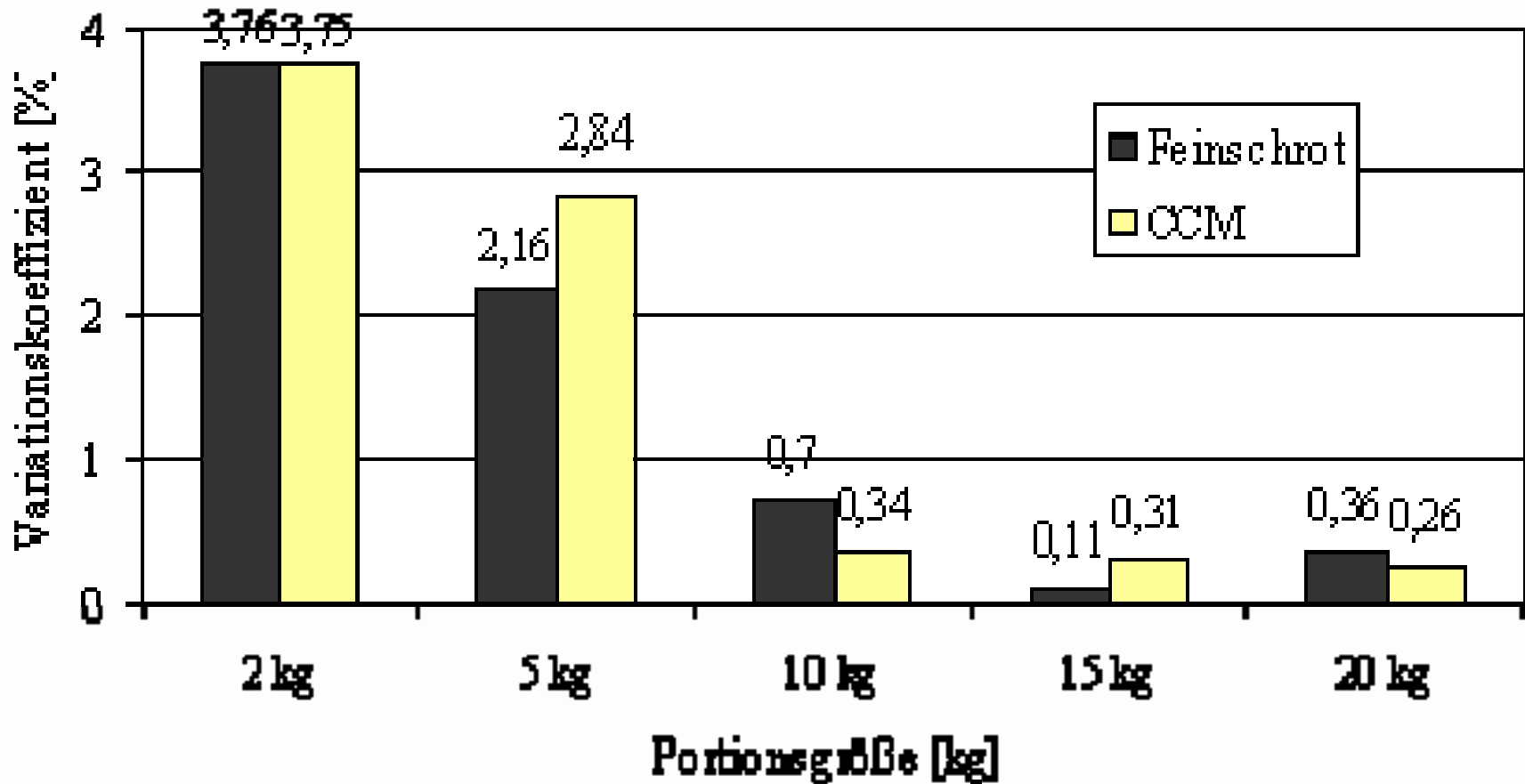
Patented cleaning system (VERY CLEAN)



Dosing accuracy

BOKU – University Vienna

Spotmix top dosing exactness confirmed



Hygienic benefits in piggery

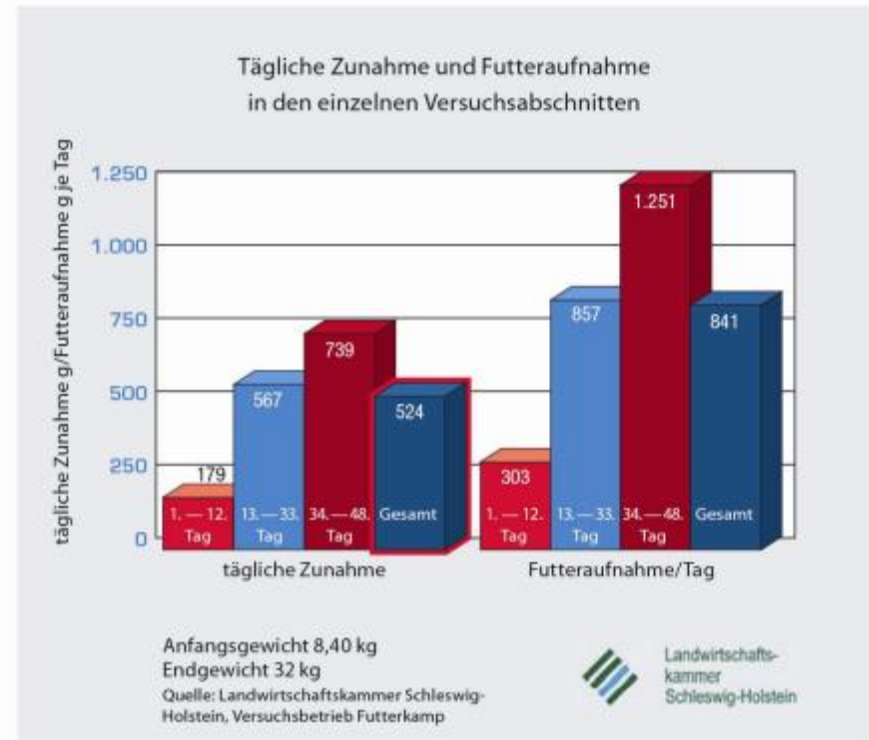
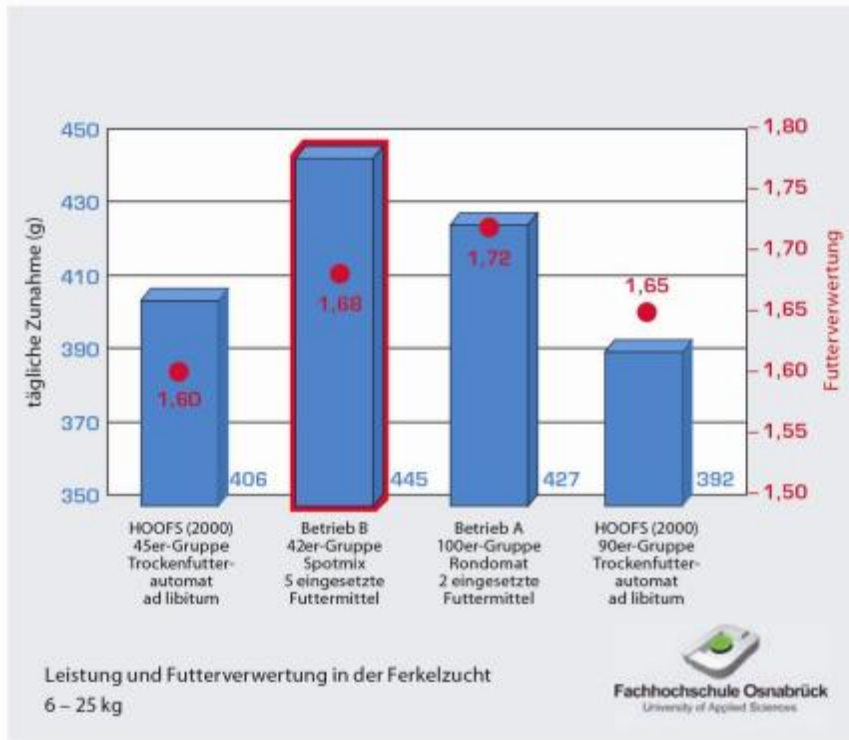


Perfectly exact piglet feeding



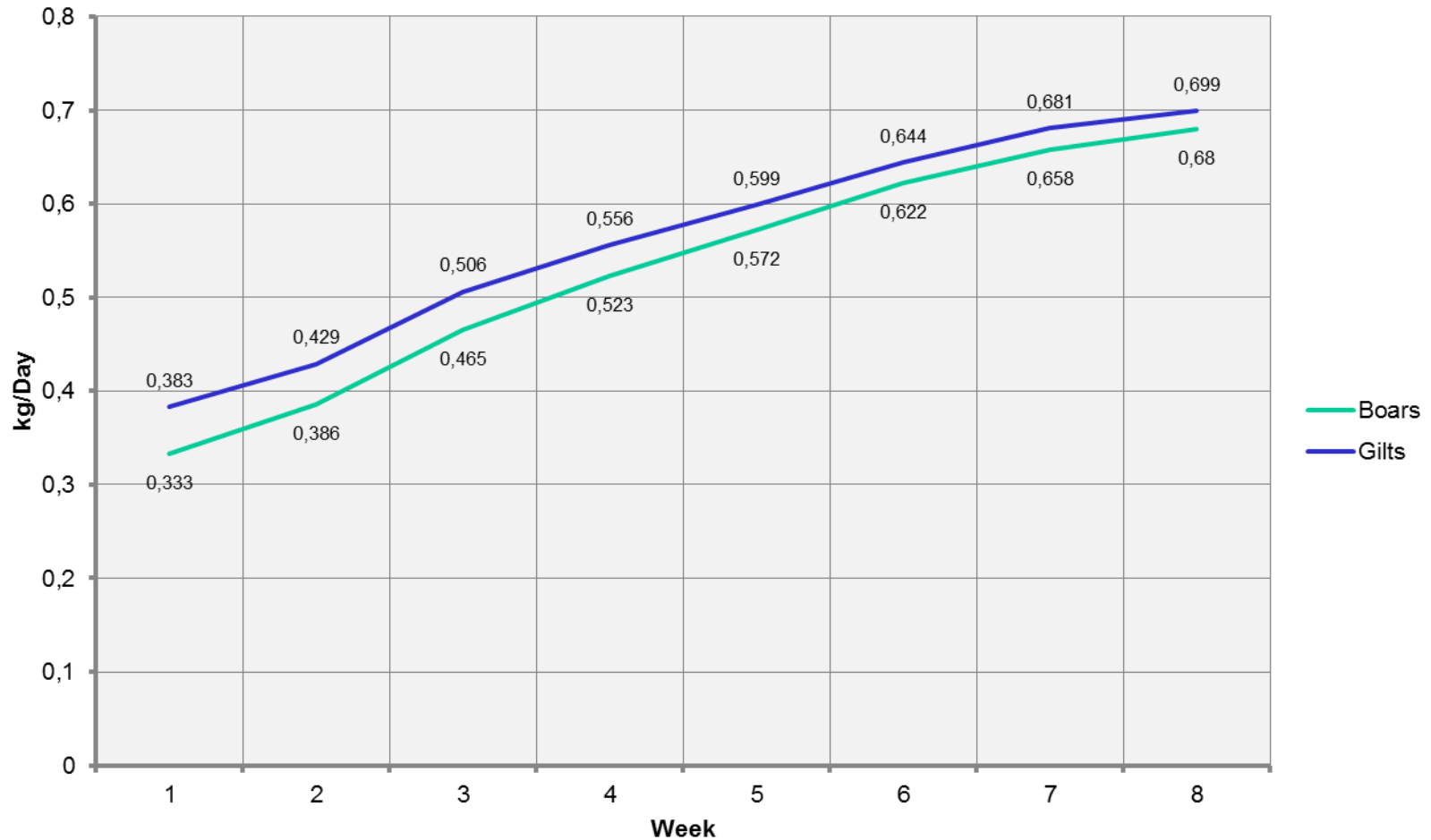
Spotmix – piglet breeding

Perfect feeding strategies



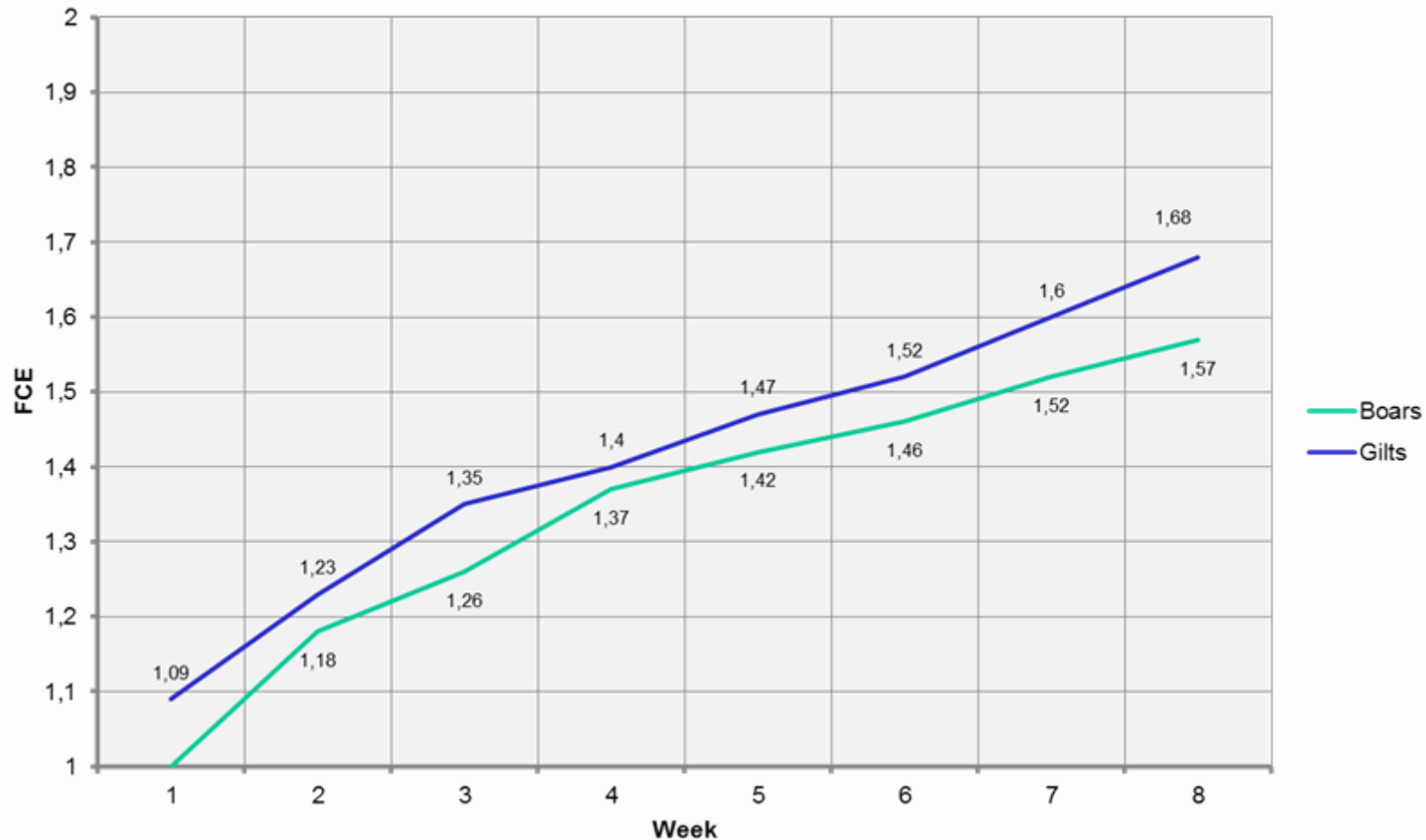
Average daily gain with Spotmix for weaners

Source: Sharragh Weaner Trial (2012), Makeway.ie



Feed Conversion Efficiency (FCE) since weaning

Source: Sharragh Weaner Trial (2012), Makeway.ie



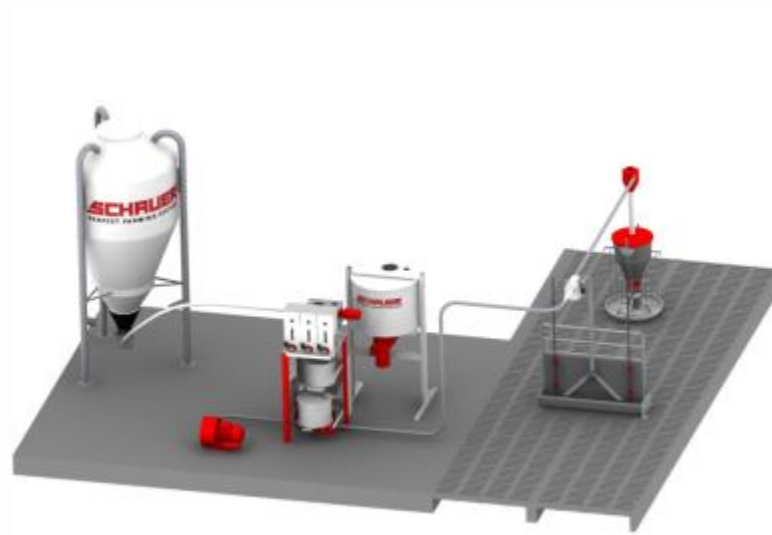
Satisfied customers

Karl Totter: “The superior results in pig breeding makes me a true Spotmix-fan.”



Daily gains: from 871 gramm to **883 gramm** - within 9 months.

Benefits at a glance



- Daily accurately adjusted amounts of energy and proteins for each animal and for each group
- **Absolute hygiene** – completely clean
- **Kompact site**
- **Energy saving due to use of air stream**